

TAB Polar

ORDER INFORMATION

Short code	P66H
TAB ID	246866
DIN marking	56609 SMF
Quantity per EUR/CNT pallet	48/79 Pcs

TECHNICAL INFORMATION

Voltage	12 V
Capacity C20	66 Ah
CCA -18°C EN	600 A

DIMENSION AND WEIGHTS

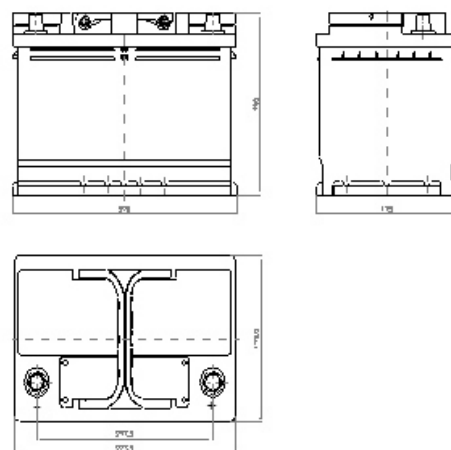
Length/Width/Height	278x175x190 mm
Total weight	16.1 kg

TECHNOLOGY

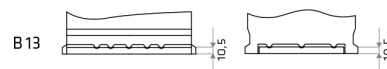
Type	Flooded
Grid type	Expanded
Grid alloy	Ca/Ca
Separator	PE
Electrolyte	1.28 g/cm ³

BOX DESIGNS

Container type	L3
Colour	Black
Polarity	0
Base hold down	B13
Cover type	SMF
Layout	0
Terminal	1



Base hold down



Layout

